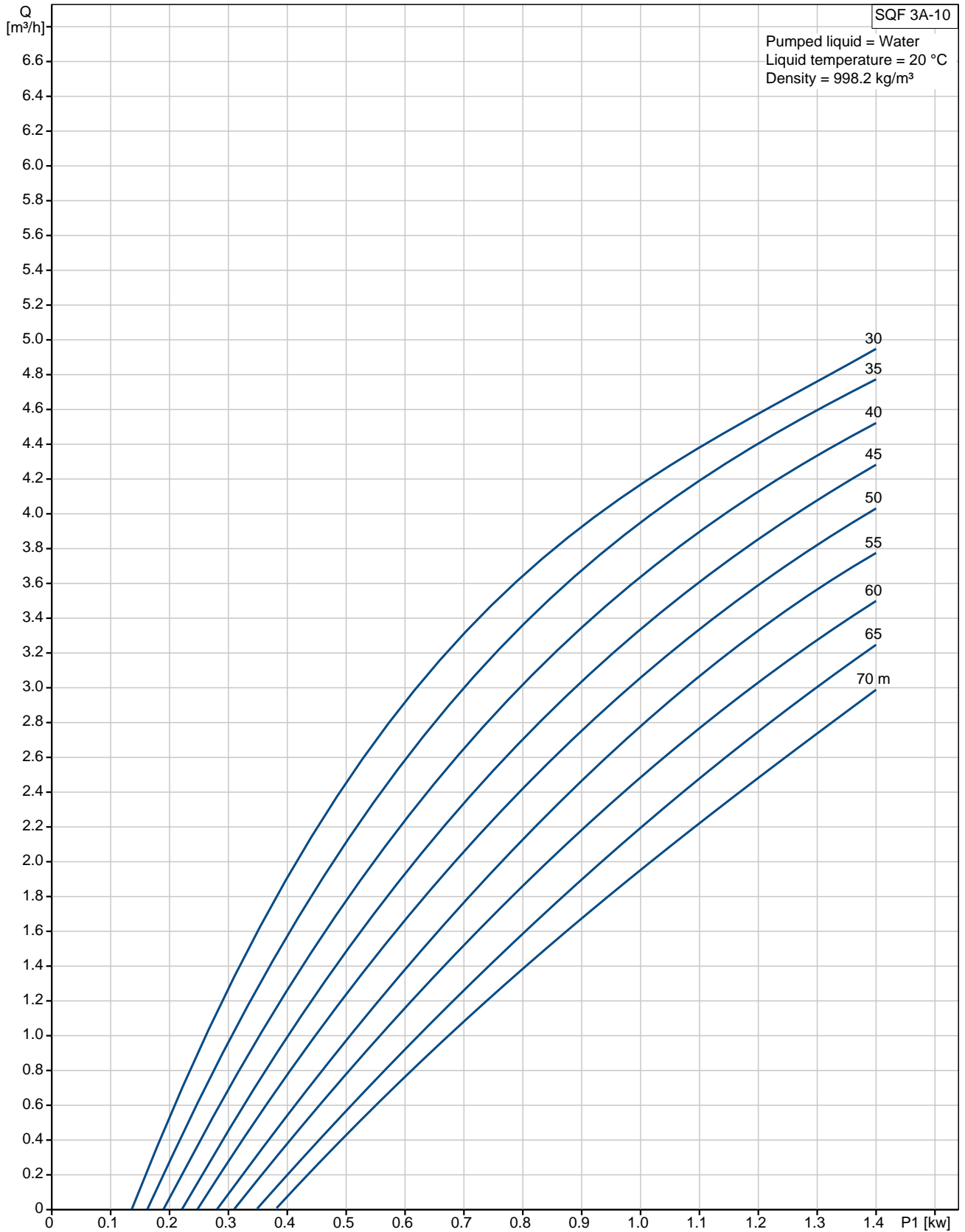
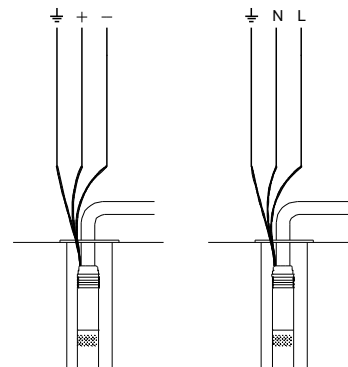
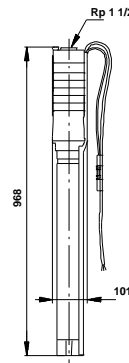
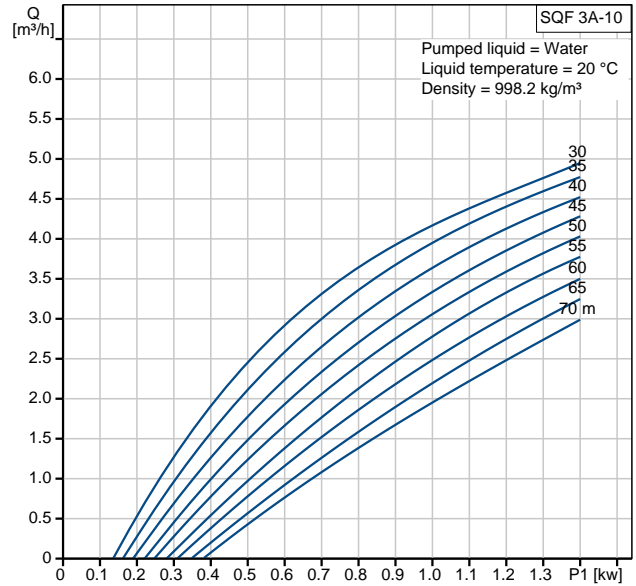




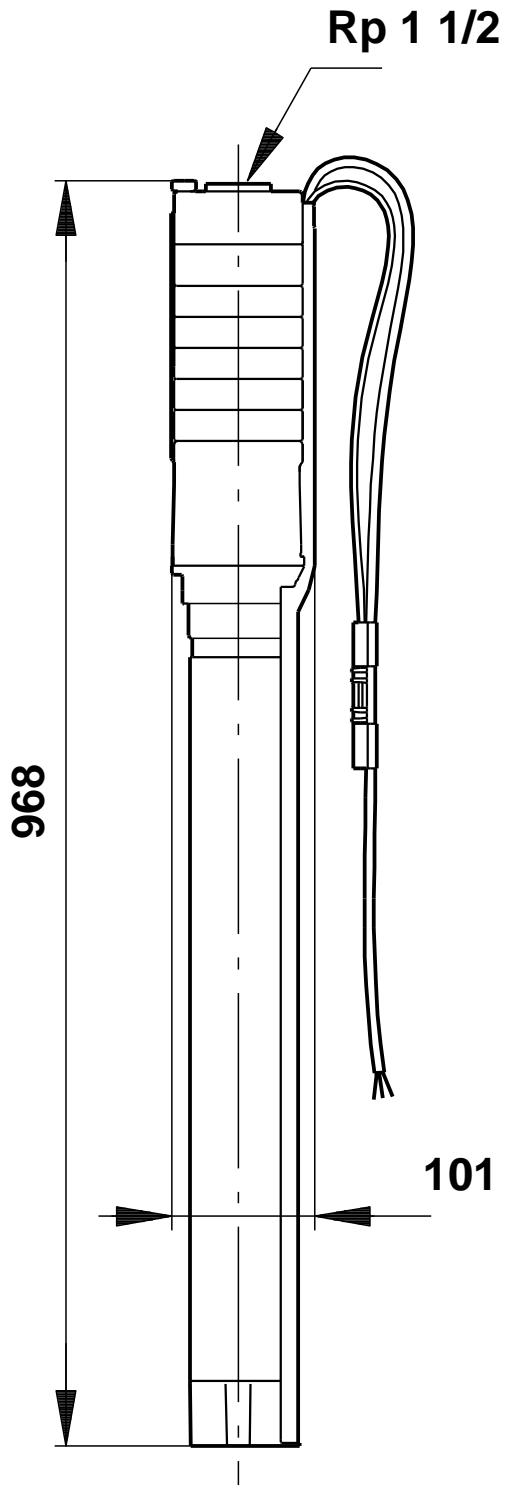
## 95027336 SQF 3A-10 50 Hz



Description	Value
<b>General information:</b>	
Product name:	SQF 3A-10
Position:	
Product No:	95027336
EAN number:	5700834760099
Price:	On request
<b>Technical:</b>	
Approvals on motor nameplate:	CE,CTICK,TR_MARK
Pump No:	95027384
Stages:	10
Valve:	pump with built-in non-return valve
<b>Materials:</b>	
Pump:	Stainless steel DIN W.-Nr. 1.4301 AISI 304
Impeller:	Stainless steel DIN W.-Nr. 1.4301 AISI 304
Rotor:	DIN W.-Nr. 1.4301 AISI 304
Stator:	DIN W.-Nr. 1.4301 AISI 304
<b>Installation:</b>	
Maximum ambient pressure:	15 bar
Pump outlet:	Rp 1,25
Minimum borehole diameter:	102 mm
<b>Liquid:</b>	
Pumped liquid:	Water
Maximum liquid temperature:	40 °C
Liquid temp:	20 °C
Density:	998.2 kg/m <sup>3</sup>
Kinematic viscosity:	1 mm <sup>2</sup> /s
<b>Electrical data:</b>	
Motor type:	MSF3
Power input - P1:	1.4 kW
Rated voltage ac:	1 x 90-240 V
Rated voltage dc:	30-300 V
Start. method:	direct-on-line
Rated current:	8.4 A
Power factor:	1,0
Rated speed:	500-3600 rpm
Enclosure class (IEC 34-5):	IP68
Insulation class (IEC 85):	F
Motor protec:	Y
Thermal protec:	internal
Length of cable:	2 m
Motor No:	96275336
<b>Others:</b>	
Minimum efficiency index, MEI :	0.70
Net weight:	9.5 kg
Gross weight:	11 kg
Shipping volume:	0.028 m <sup>3</sup>
Sales region:	Europe/South America/Japan



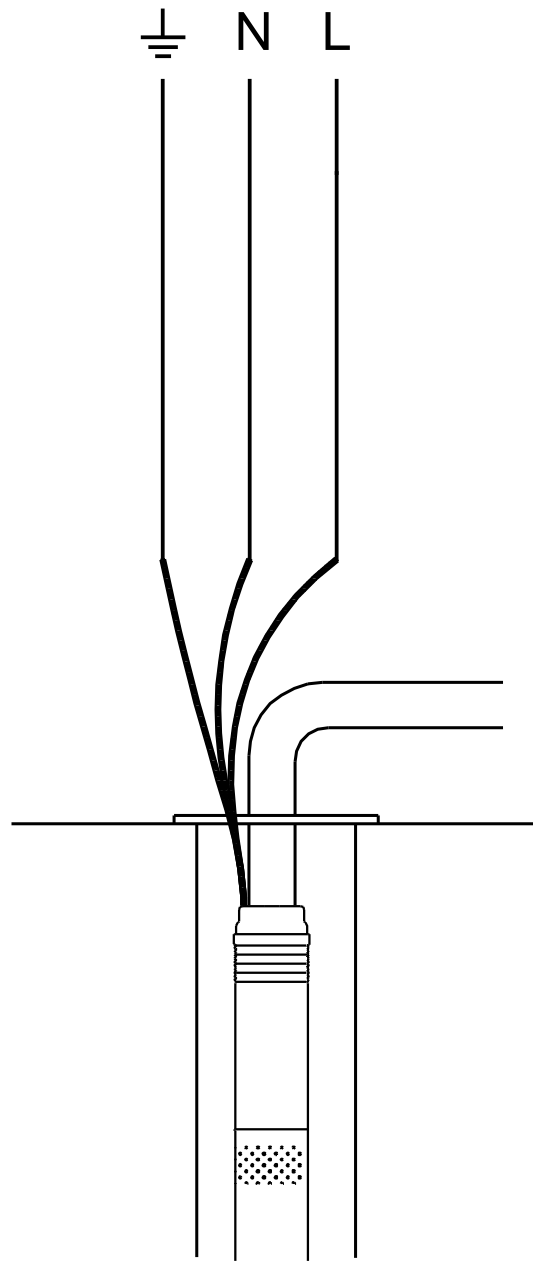
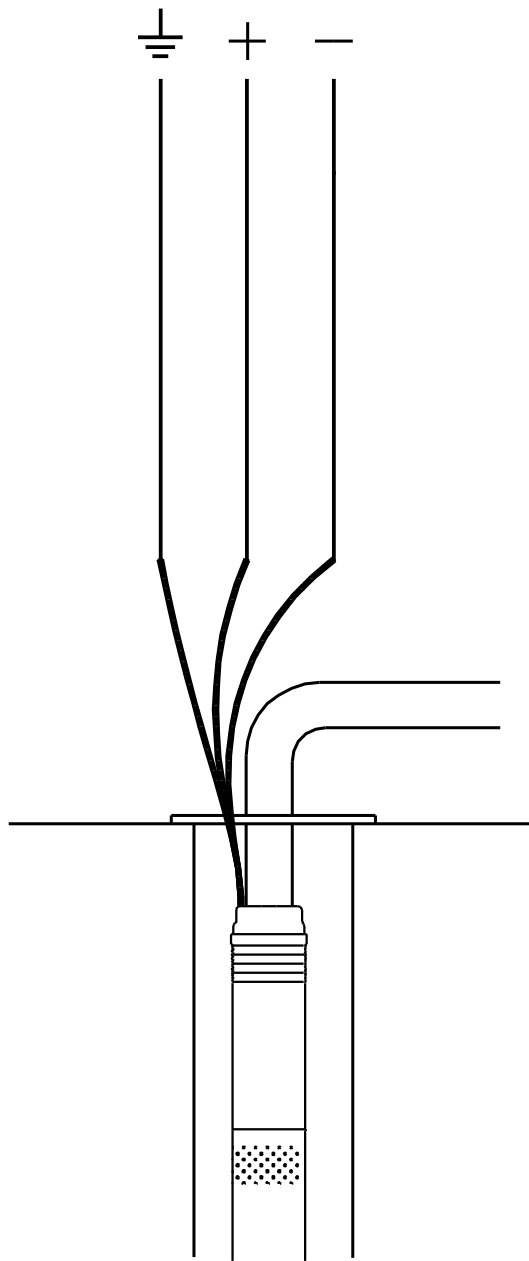
**95027336 SQF 3A-10 50 Hz**



Note! All units are in [mm] unless others are stated.  
Disclaimer: This simplified dimensional drawing does not show all details.



**95027336 SQF 3A-10 50 Hz**



Note! All units are in [mm] unless others are stated.